

PAVEMENT MARKING LEGEND

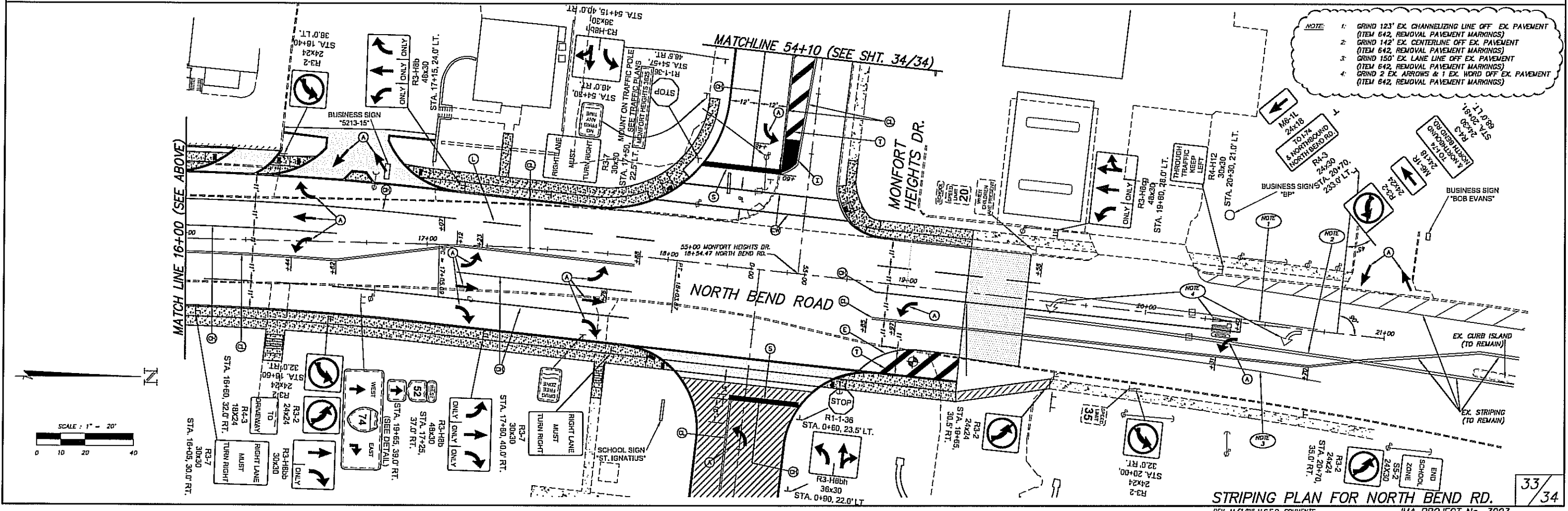
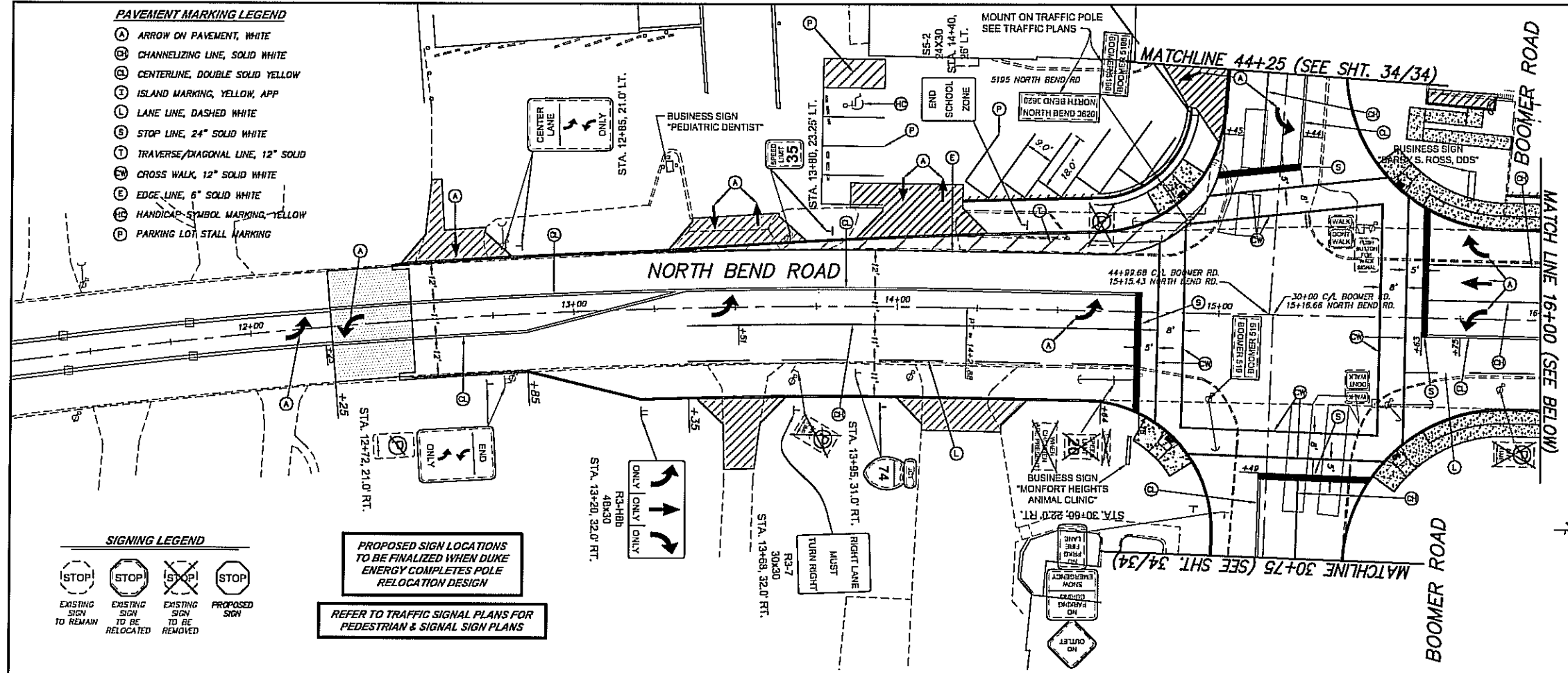
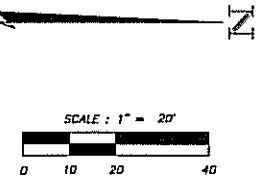
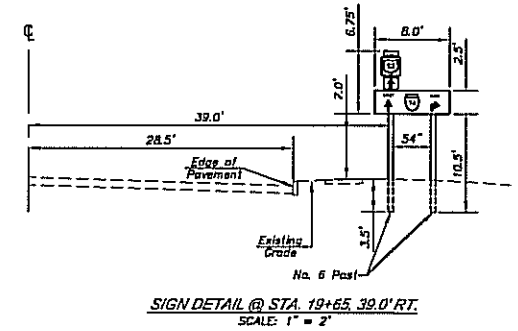
- (A) ARROW ON PAVEMENT, WHITE
- (B) CHANNELIZING LINE, SOLID WHITE
- (C) CENTERLINE, DOUBLE SOLID YELLOW
- (D) ISLAND MARKING, YELLOW, APP
- (L) LANE LINE, DASHED WHITE
- (S) STOP LINE, 24" SOLID WHITE
- (T) TRAVERSE/DIAGONAL LINE, 12" SOLID
- (W) CROSS WALK, 12" SOLID WHITE
- (E) EDGE LINE, 6" SOLID WHITE
- (H) HANDICAP SYMBOL MARKING, YELLOW
- (P) PARKING LOT STALL MARKING

SIGNING LEGEND

- (STOP) EXISTING SIGN TO REMAIN
- (STOP) EXISTING SIGN TO BE RELOCATED
- (STOP) EXISTING SIGN TO BE REMOVED
- (STOP) PROPOSED SIGN

PROPOSED SIGN LOCATIONS TO BE FINALIZED WHEN DUKE ENERGY COMPLETES POLE RELOCATION DESIGN
REFER TO TRAFFIC SIGNAL PLANS FOR PEDESTRIAN & SIGNAL SIGN PLANS

PARKING SUMMARY FOR OFFICES @ 5195 NORTH BEND RD:
 EX. PARKING SPACES = 14 (INCLUDING 0 HANDICAP SPACES)
 PROP. # PARKING SPACES = 9 (INCLUDING 1 HANDICAP SPACE)
 NET CHANGE = 5 PARKING SPACES LOST



- NOTE:**
1. GRIND 123' EX. CHANNELIZING LINE OFF EX. PAVEMENT (ITEM 642, REMOVAL PAVEMENT MARKINGS)
 2. GRIND 142' EX. CENTERLINE OFF EX. PAVEMENT (ITEM 642, REMOVAL PAVEMENT MARKINGS)
 3. GRIND 150' EX. LANE LINE OFF EX. PAVEMENT (ITEM 642, REMOVAL PAVEMENT MARKINGS)
 4. GRIND 2 EX. ARROWS & 1 EX. WORD OFF EX. PAVEMENT (ITEM 642, REMOVAL PAVEMENT MARKINGS)

PAVEMENT MARKING LEGEND

- (A) ARROW ON PAVEMENT, WHITE
- (B) CHANNELIZING LINE, SOLID WHITE
- (C) CENTERLINE, DOUBLE SOLID YELLOW
- (D) ISLAND MARKING, YELLOW, APP
- (E) LANE LINE, DASHED WHITE
- (F) STOP LINE, 24" SOLID WHITE
- (G) TRAVERSE/DIAGONAL LINE, 12" SOLID
- (H) CROSS WALK, 12" SOLID WHITE
- (I) EDGE LINE, 6" SOLID WHITE

SIGNING LEGEND

- | | | | |
|-------------------------|-------------------------------|-----------------------------|---------------|
| | | | |
| EXISTING SIGN TO REMAIN | EXISTING SIGN TO BE RELOCATED | EXISTING SIGN TO BE REMOVED | PROPOSED SIGN |

PROPOSED SIGN LOCATIONS TO BE FINALIZED WHEN DUKE ENERGY COMPLETES POLE RELOCATION DESIGN

REFER TO TRAFFIC SIGNAL PLANS FOR PEDESTRIAN & SIGNAL SIGN PLANS

