

# INSPECTION WELL

## NOTES

**GENERAL:** The Contractor shall advise the Engineer of all private drains encountered if connected to a building, septic tank, cesspool, filter bed, treatment plant or if discharging polluted water of any kind.

Such drains will either be connected to the highway drainage system (requires official permit) or plugged as directed by the Engineer.

If connected to the highway storm sewer system, an inspection well shall be constructed as detailed here on each such drain unless the drain is to be connected to a catch basin, inlet or manhole or is to discharge into an open channel or ditch.

The cost of tapping the highway sewer, including the concrete collar or Tee, shall be included in the unit price bid per Foot [Meter] of **Item 603 - Conduit**.

When PVC pipe is used for the riser section of the inspection well, form a recessed bell area in the concrete at the top of the well to receive the cast iron cover.

Component parts of the inspection well may be job or factory cut and job assembled.

**PAYMENT:** The work included in this item shall comply with the provisions of CMS 604, including excavation and backfill, and shall be paid for at the contract unit price bid per **Item 604 - Inspection Well** (each) complete in place.

OHIO DEPARTMENT OF TRANSPORTATION  
ENGINEER OF BRIDGES  
*Tim Keller*

DATE  
7-20-01  
7-19-02

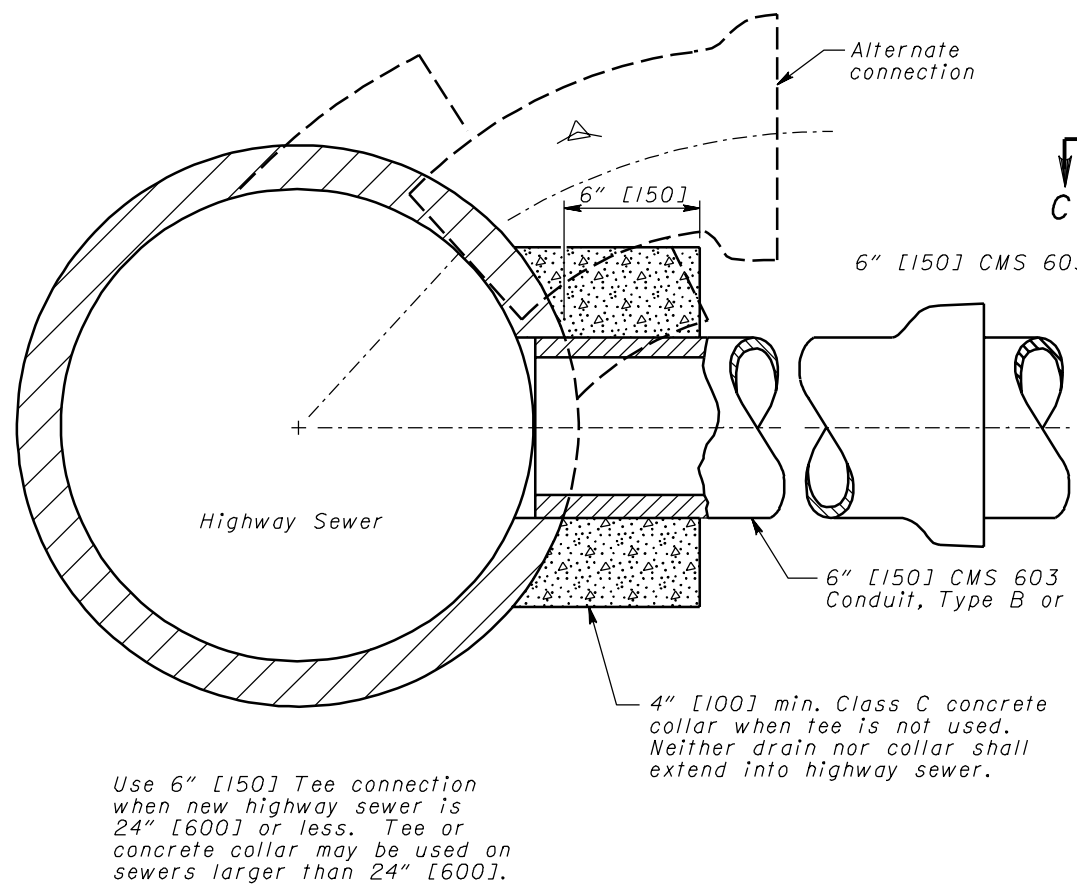
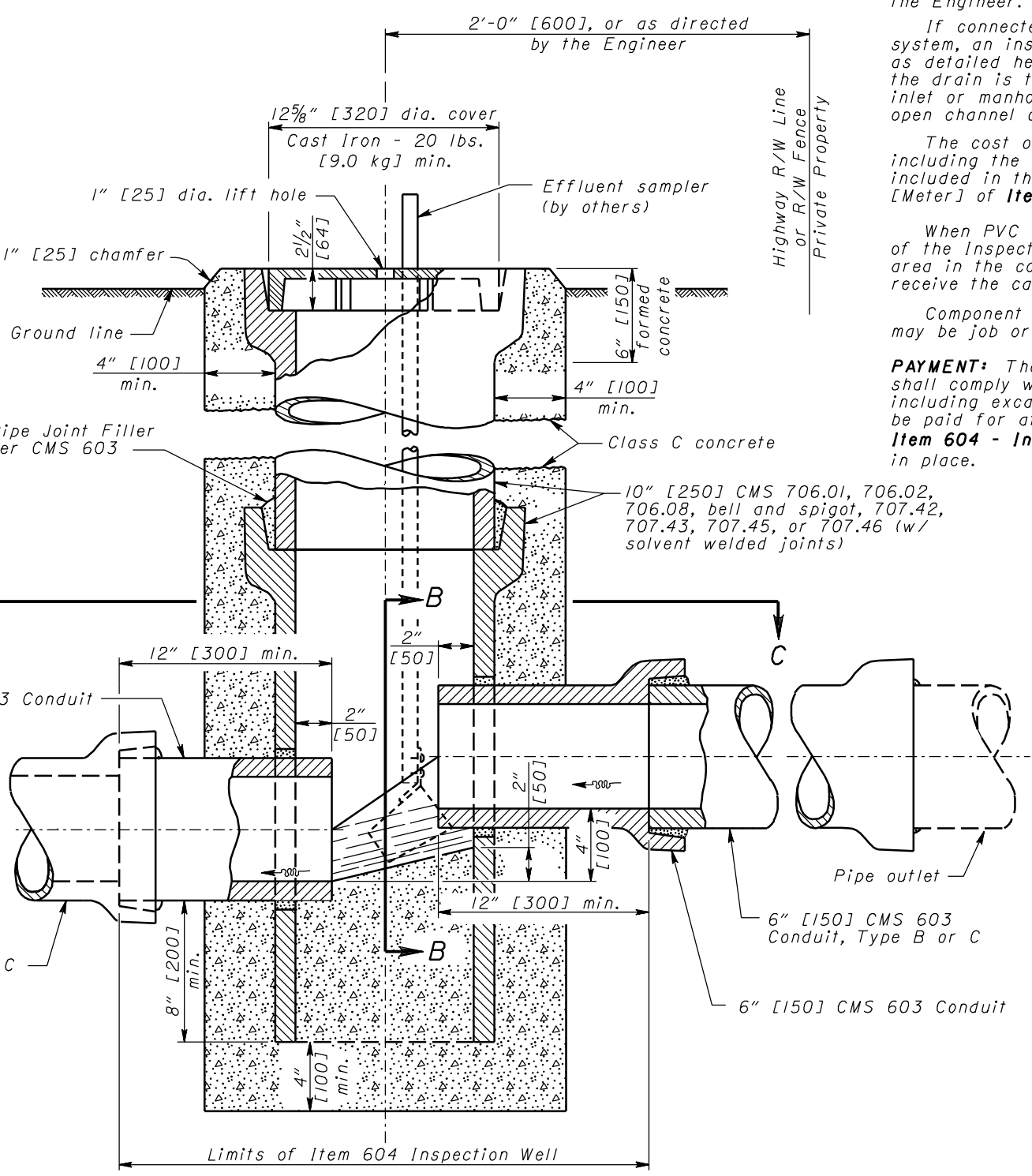
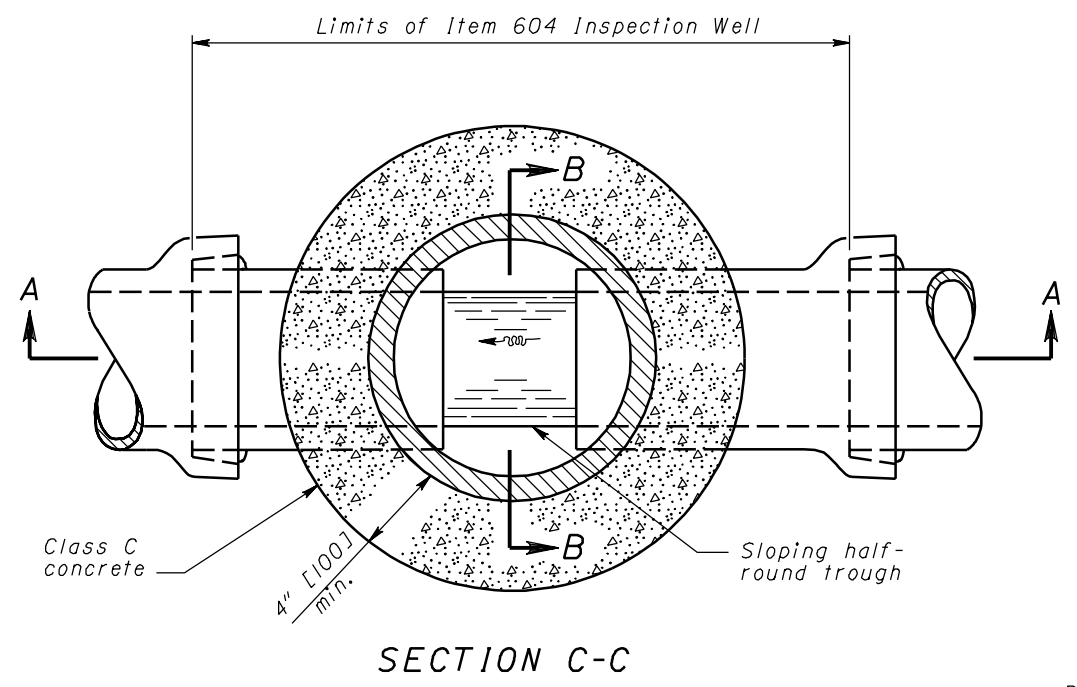
HYDRAULIC ENGINEER  
D. Gruver

All metric dimensions (in brackets [ ]) are in millimeters unless otherwise noted.

OFFICE OF STRUCTURAL ENGINEERING

STANDARD HYDRAULIC CONSTRUCTION DRAWING  
INSPECTION WELL

NUMBER  
DM-3.J



SECTION A-A  
ELEVATION

SECTION B-B